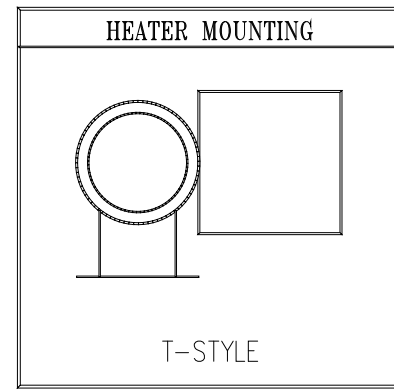
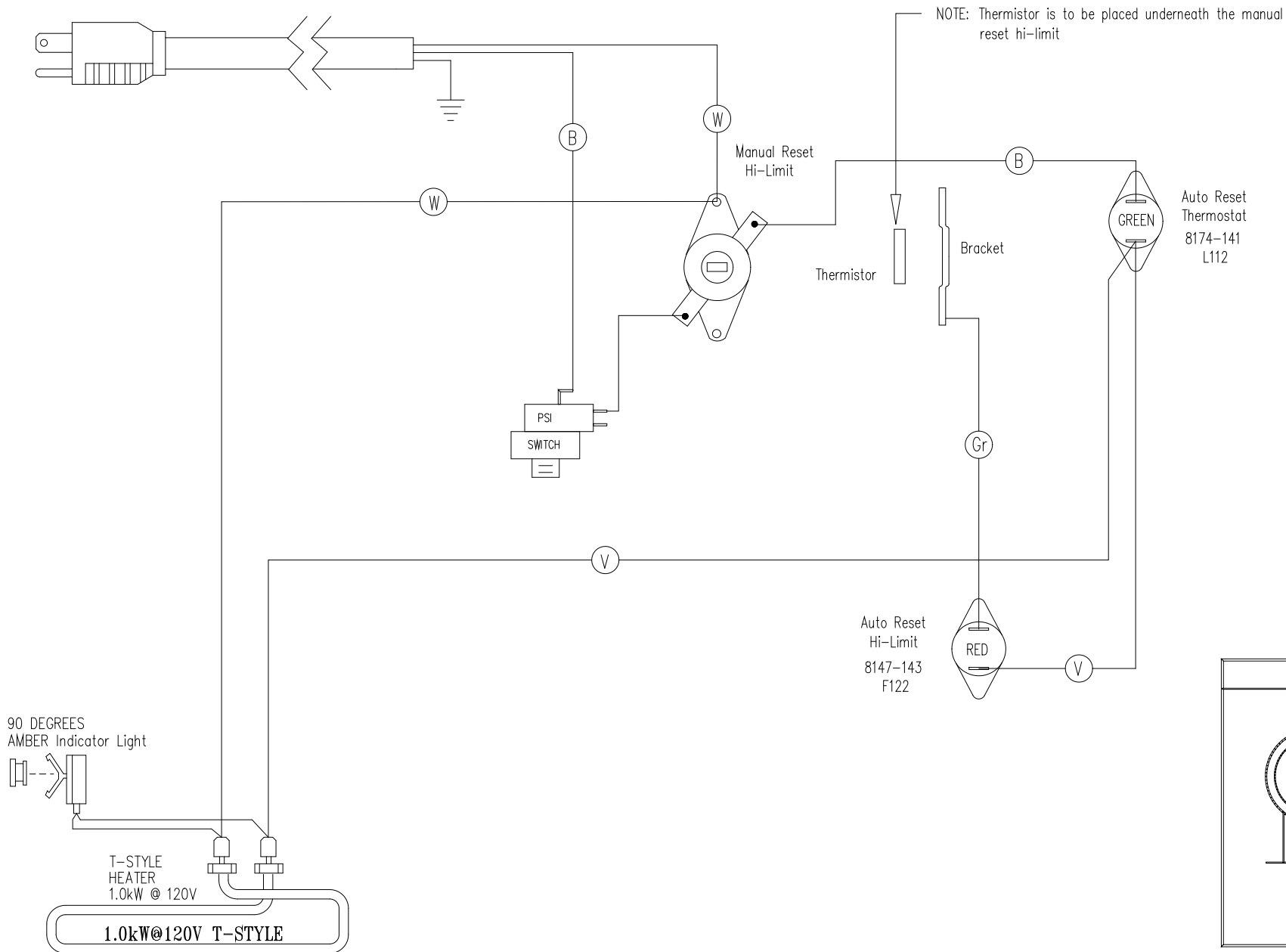


46" 15 AMP POWER CORD



**HYDRO-QUIP**  
CORONA, CA (909) 273-7575

Manufacture Notes:

Dwg. No.  
**BT-32AA**

Drawn  
TDM

Rev  
4

Date  
7.19.01

Diagram No.  
**1242**

Wire Color Code

B - Black	G - Green
Br - Brown	Bl - Blue
R - Red	V - Violet
O - Orange	W - White
Y - Yellow	Gr - Gray